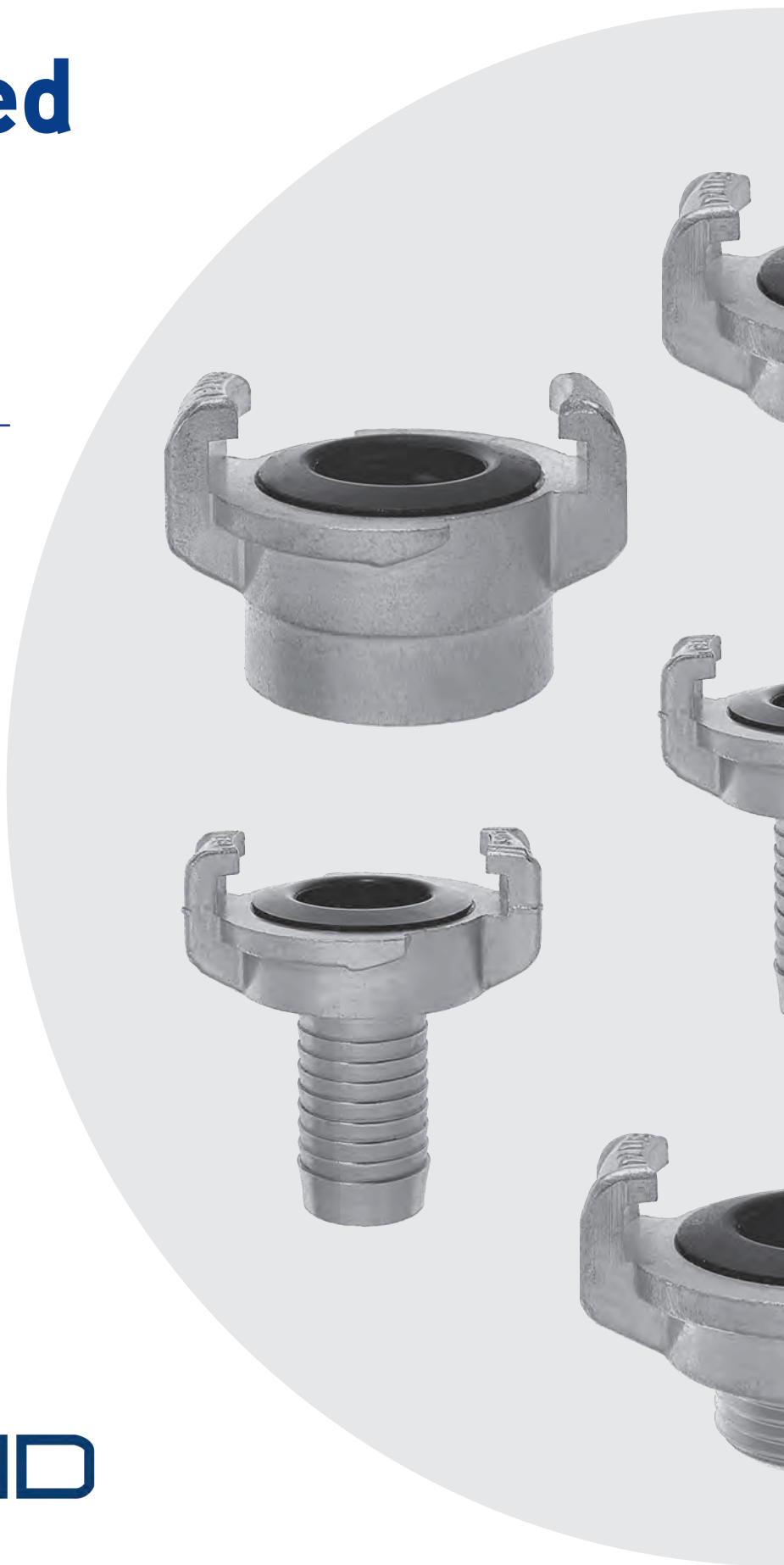


Balflex[®]

Compressed Air lines couplings



GESFLUID



AMERICAN TYPE - CROWFOOT

HOSE END

44.HE10 - Air Lock Hose End

Air Lock x Hose Nipple Connection, two-lug from 1/4" up to 1" / four-lug from 1.1/4" up to 2"

MATERIALS: add the material code letters at the end of the part number; for cast iron add "CI" (ex: 44.HE10.050 CI)
CONSTRUCTION: universal two-lug construction up to 1" (see male threaded part shown below); universal four-lug construction for 1-1/4" up to 2" as pictured above
WARNING: not intended for steam service



Size	Reference
1/4"	44.HE10.014
3/8"	44.HE10.038
1/2"	44.HE10.050
5/8"	44.HE10.063
3/4"	44.HE10.075
1"	44.HE10.100
1-1/4"	44.HE10.125
1-1/2"	44.HE10.150
2"	44.HE10.200

FEMALE

44.FE10 - Air Lock Female

Air Lock x Female NPT Thread Connection, two-lug from 1/4" up to 1" / four-lug from 1.1/4" up to 2"

MATERIALS: add the material code letters at the end of the part number; for cast iron add "CI" (ex: 44.FE10.050 CI)
CONSTRUCTION: universal two-lug construction up to 1" (see male threaded part shown below); universal four-lug construction for 1-1/4" up to 2" as pictured above
THREADS: all NPT threads; also available with other threads on request
WARNING: not intended for steam service



Size	Reference
1/4"	44.FE10.014
3/8"	44.FE10.038
1/2"	44.FE10.050
5/8"	44.FE10.063
3/4"	44.FE10.075
1"	44.FE10.100
1-1/4"	44.FE10.125
1-1/2"	44.FE10.150
2"	44.FE10.200

MALE

44.ME10 - Air Lock Male

Air Lock x Male NPT Thread Connection, two-lug from 1/4" up to 1" / four-lug from 1.1/4" up to 2"

MATERIALS: add the material code letters at the end of the part number; for cast iron add "CI" (ex: 44.ME10.050 CI)
CONSTRUCTION: universal two-lug construction up to 1" (pictured above); universal four-lug construction for 1-1/4" up to 2" as in the female threaded part 44.FA10 above
THREADS: all NPT threads; also available with other threads on request
WARNING: not intended for steam service



Size	Reference
1/4"	44.ME10.014
3/8"	44.ME10.038
1/2"	44.ME10.050
5/8"	44.ME10.063
3/4"	44.ME10.075
1"	44.ME10.100
1-1/4"	44.ME10.125
1-1/2"	44.ME10.150
2"	44.ME10.200



GERMAN TYPE

HOSE END

44.HE12 - Air Lock Hose End

Air Lock x Hose Nipple Connection, two-lug from 1/4" up to 1" / four-lug from 1.1/4" up to 2"

MATERIALS: add the material code letters at the end of the part number: for cast iron add "CI" (ex: 44.HE12.050 CI)
CONSTRUCTION: universal two-lug construction up to 1" (see male threaded part shown below); universal four-lug construction for 1-1/4" up to 2" as pictured above
WARNING: not intended for steam service



Size	Reference
1/4"	44.HE12.014
3/8"	44.HE12.038
1/2"	44.HE12.050
5/8"	44.HE12.063
3/4"	44.HE12.075
1"	44.HE12.100
1-1/4"	44.HE12.125
1-1/2"	44.HE12.150
2"	44.HE12.200

FEMALE

44.FE12 - Air Lock Female

Air Lock x Female BSPT Thread Connection, two-lug from 1/4" up to 1" / four-lug from 1.1/4" up to 2"

MATERIALS: add the material code letters at the end of the part number: for cast iron add "CI" (ex: 44.FE12.050 CI)
CONSTRUCTION: universal two-lug construction up to 1" (see male threaded part shown below); universal four-lug construction for 1-1/4" up to 2" as pictured above
THREADS: all NPT threads; also available with other threads on request
WARNING: not intended for steam service



Size	Reference
1/4"	44.FE12.014
3/8"	44.FE12.038
1/2"	44.FE12.050
5/8"	44.FE12.063
3/4"	44.FE12.075
1"	44.FE12.100
1-1/4"	44.FE12.125
1-1/2"	44.FE12.150
2"	44.FE12.200

MALE

44.ME12 - Air Lock Male

Air Lock x Male BSPT Thread Connection, two-lug from 1/4" up to 1" / four-lug from 1.1/4" up to 2"

MATERIALS: add the material code letters at the end of the part number: for cast iron add "CI" (ex: 44.ME12.050 CI)
CONSTRUCTION: universal two-lug construction up to 1" (pictured above); universal four-lug construction for 1-1/4" up to 2" as in the female threaded part 44.FA12 above
THREADS: all NPT threads; also available with other threads on request
WARNING: not intended for steam service



Size	Reference
1/4"	44.ME12.014
3/8"	44.ME12.038
1/2"	44.ME12.050
5/8"	44.ME12.063
3/4"	44.ME12.075
1"	44.ME12.100
1-1/4"	44.ME12.125
1-1/2"	44.ME12.150
2"	44.ME12.200