

GUIADO DE MANGUERA AUTOMÁTICO



GESTIÓN INTEGRAL DE EQUIPAMIENTOS INDUSTRIALES
INTEGRAL MANAGEMENT FOR INDUSTRIAL EQUIPMENTS



**ADVANCED FLUID
MANAGEMENT SOLUTIONS**



- IN AISI 316
STAINLESS STEEL
- IN PAINTED STEEL



**ADVANCED FLUID
MANAGEMENT SOLUTIONS**



DESIGN IS

Art





**ADVANCED FLUID
MANAGEMENT SOLUTIONS**

AUTOMATIC HOSE GUIDE “M-ARTE”



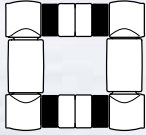
STRENGTH POINTS

- Designed to move independently while rewinding the hose.
- Equipped with rollers, horizontal and vertical, that can be adjusted to the hose being used.
- Easy to assemble on both new hose reels and on equipment already in use.
- Designed with a security system which ensure the maximum protection to the operator also in case of distraction or hose accidental release.
- Available in AISI 316 stainless steel for corrosive atmospheres environments uses.

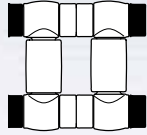
TECHNICAL CHARACTERISTICS

HOSE GUIDE
with security
system and
customizable
rollers

For hose $\geq \varnothing 1/2"$

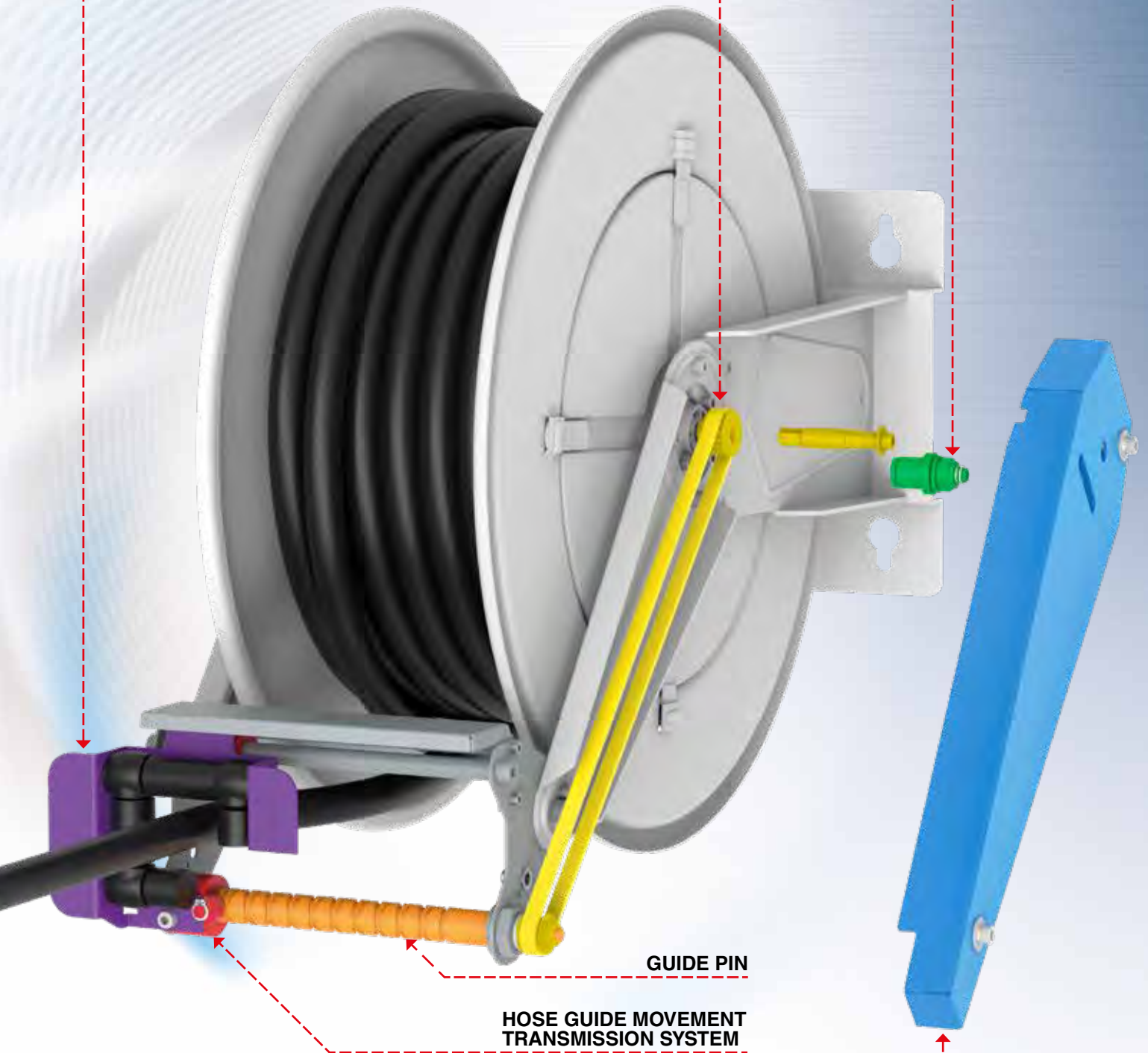


For hose $\leq \varnothing 1/2"$



**BELT DRIVE
TRANSMISSION
GROUP**

**TIGHTENER
PIN**



GUIDE PIN

**HOSE GUIDE MOVEMENT
TRANSMISSION SYSTEM**

**PROTECTIVE
COVER**



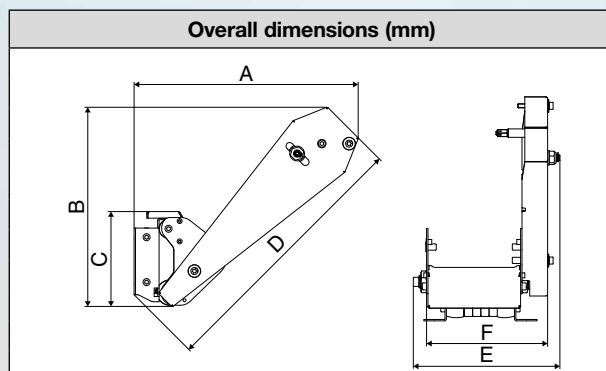
“M-ARTE” AUTOMATIC HOSE GUIDE IN PAINTED STEEL



The new automatic hose guide “M-Arte” guarantees correct arrangement of the hose on the drum, thus preventing haphazard rewinding.

⚠ The hose reel equipped with automatic hose guide is not suitable for installation in potentially explosive atmosphere.

P/N	Series	Material	Hose
0506	s. 430	painte steel	≤ 1/2"
0848	s. 530	painte steel	≤ 1/2"
0777	s. 540	painte steel	3/4" ÷ 1"
0776	s. 540	painte steel	≤ 1/2"
0650	s. 560	painte steel	3/4" ÷ 1"
0816	s. 560	painte steel	≤ 1/2"

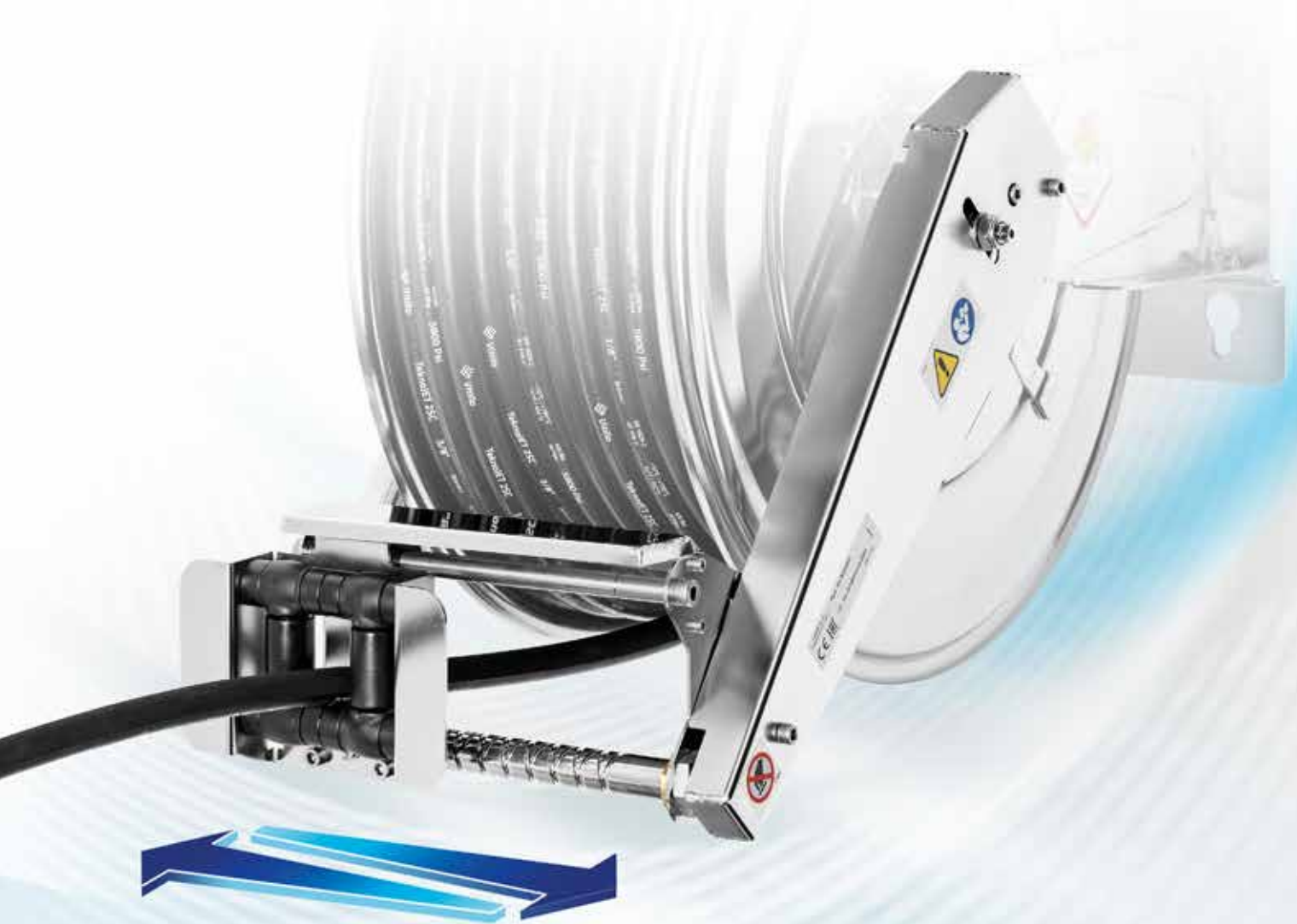


Series	A	B	C	D	E	F	Packaging (mm) W x D x H	
430	319	284	135	389	209	172		380 x 120 x 150
530	375	341	137	458	223	187		370 x 135 x 370
540	375	341	137	458	288	252		370 x 135 x 370
560	375	341	137	458	472	436		200 x 130 x 510

(W: width - D: depth - H: height)




“M-ARTE” AUTOMATIC HOSE GUIDE IN AISI 316 STAINLESS STEEL



The new automatic hose guide “M-Arte” guarantees correct arrangement of the hose on the drum, thus preventing haphazard rewinding. AISI 316 stainless steel version allows the installation and the use in corrosive atmosphere environments too.

⚠ The hose reel equipped with automatic hose guide is not suitable for installation in potentially explosive atmosphere.

P/N	Series	Material	Hose
5619	s. 430	AISI 316 stainless steel	≤ 1/2”
5620	s. 530	AISI 316 stainless steel	≤ 1/2”
5621	s. 540	AISI 316 stainless steel	3/4” ÷ 1”
5622	s. 540	AISI 316 stainless steel	≤ 1/2”
5623	s. 560	AISI 316 stainless steel	3/4” ÷ 1”
5624	s. 560	AISI 316 stainless steel	≤ 1/2”

Overall dimensions (mm)	Series	A	B	C	D	E	F	Packaging (mm) W x D x H	
								W	D x H
	430	319	284	135	389	209	172		380 x 120 x 150
	530	375	341	137	458	223	187		370 x 135 x 370
	540	375	341	137	458	288	252		370 x 135 x 370
	560	375	341	137	458	472	436		200 x 130 x 510

(W: width - D: depth - H: height)



TECNOLOGÍA

La investigación y el desarrollo de nuevas soluciones que acabarán convirtiéndose en productos de vanguardia de la más alta calidad totalmente fabricados en Italia, es el principal punto de partida de todo el ciclo de producción



CALIDAD

Desde siempre, la calidad es una preocupación básica en la creación de productos **RAASM**. Para obtenerla es indispensable la ejecución de un sinfín de pruebas altamente exigentes y rigurosas



FUNCIONABILIDAD

RAASM dispone de la más completa gama de productos para lubricación y distribución de fluidos. El objetivo es el de dar siempre una respuesta satisfactoria a las demandas de nuestros clientes y cubrir sus exigencias



Company with an
ISO 9001:2015
certified quality
management system

RAASM S.p.A.
36022 S. ZENO DI CASSOLA (VI)
Via Marangoni, 33 - ITALY



GESTIÓN INTEGRAL DE EQUIPAMIENTOS INDUSTRIALES / INTEGRAL MANAGEMENT FOR INDUSTRIAL EQUIPMENTS

C/Candás, 20 Bajo - 33207 Gijón - Asturias - España
Tel. (+34) 984 05 00 90
gesfluid@gesfluid.es - www.gesfluid.es