

# ENROLLADORES PARA CABLES DE BATERIA

**GF** **GESFLUID**  
GESTIÓN INTEGRAL DE EQUIPAMIENTOS INDUSTRIALES  
INTEGRAL MANAGEMENT FOR INDUSTRIAL EQUIPMENTS



**ADVANCED FLUID  
MANAGEMENT SOLUTIONS**





**ADVANCED FLUID  
MANAGEMENT SOLUTIONS**



DESIGN IS

*Art*





**ADVANCED FLUID  
MANAGEMENT SOLUTIONS**

# CABLE REELS FOR BATTERY CHARGING

---

## ZEUS-RB

### ✓ STRENGTH POINTS

- Cable guide with rollers, horizontal and vertical, on 4 sides, designed to extend average cable life, comes standard on all models.
- IP44 protection degree standard on all models
- Special electric collector to drastically reduce overheating during operation.
- Thermal protector standard on all models.
- An optional protection degree is available, useful to protect against accidental, uncontrolled rewinding of the cable.
- Repeated spring stress-tests guarantees decades of life and efficiency.
- 1,3 m inlet cable as standard to connect the cable reel for battery charging to the main line.



# TECHNICAL CHARACTERISTICS

## CABLE GUIDE

## REWINDING CLUTCH

Optional: lets you rewind the drum at a safe speed.

## PAWL

Easy to remove for maintenance or when the work requires free sliding.

## SIDE CLUTCH

Has special seals that act as bracket clutch.

## SPRING

Tested to withstand over 20000 work cycles.

## EXTENSION CABLE

with 6 red cable for the positive pole and 6 black cable for the negative one previously divided and sheathed.

## CONNECTION PLIERS

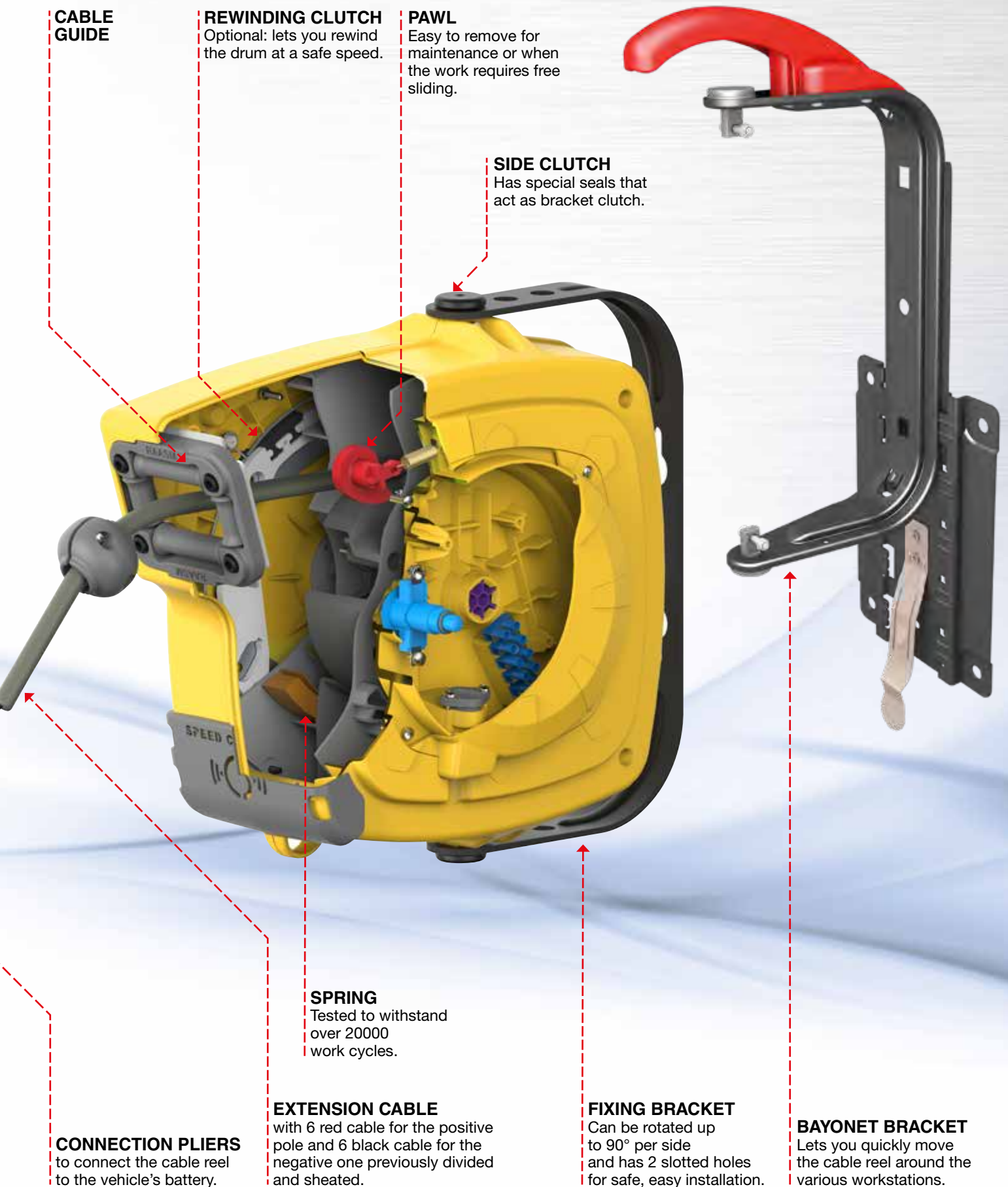
to connect the cable reel to the vehicle's battery.

## FIXING BRACKET

Can be rotated up to 90° per side and has 2 slotted holes for safe, easy installation.

## BAYONET BRACKET

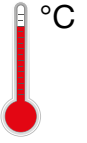
Lets you quickly move the cable reel around the various workstations.





# CABLE REELS FOR BATTERY CHARGING S. 280

The cable reels for battery charging are the ideal solutions designed by RAASM to facilitate the battery charging of the vehicles in the whole garage, in the farthest places from the main recharging device too. Usable as an extension cable with 6 or 9 meters, the cable reel can be used with a maximum charging current of 30 A and it's equipped with a reset button and a thermic protection against the current overload.



max temperature 70 °C



### COVER COLORS

- Shockproof plastic
- STANDARD
- RAL 1004

**FIXED AND SWIVELLING**

Overall dimensions without bayonet bracket (mm)	Overall dimensions with bayonet bracket (mm)	Packaging (mm) W x D x H	
			440 x 195 x 485
			No. 40 packages per pallet

(W: width - D: depth - H: height)



P/N	Number of conductors	Type of cable	Cable length	Max. charging current*	Weight
<b>6160</b>	6 red + 6 black	12 x 1,5 - H05 VV-F	4 + 2 m	30 A	7,6 Kg
<b>6161</b>	6 red + 6 black	12 x 1,5 - H05 VV-F	7 + 2 m	30 A	8,5 Kg

\* with unbound cable



### SPEED CONTROL

The versions listed below come with clutch so that cable rewinding can be performed at a controlled speed. They are marked by the **SPEED CONTROL** dataplate.

P/N	Number of conductors	Type of cable	Cable length	Max. charging current*	Weight
<b>6162</b>	6 red + 6 black	12 x 1,5 - H05 VV-F	4 + 2 m	30 A	8,0 Kg
<b>6163</b>	6 red + 6 black	12 x 1,5 - H05 VV-F	7 + 2 m	30 A	8,9 Kg

\* with unbound cable

## ACCESSORY FOR CABLE REELS

P/N **6153**  
Bayonet bracket, lets you easily move the cable reel within the various workstations.



## EXAMPLES OF CABLE REELS WITH ACCESSORIES





## TECNOLOGÍA

La investigación y el desarrollo de nuevas soluciones que acabarán convirtiéndose en productos de vanguardia de la más alta calidad totalmente fabricados en Italia, es el principal punto de partida de todo el ciclo de producción



## CALIDAD

Desde siempre, la calidad es una preocupación básica en la creación de productos **RAASM**. Para obtenerla es indispensable la ejecución de un sinfín de pruebas altamente exigentes y rigurosas



## FUNCIONABILIDAD

**RAASM** dispone de la más completa gama de productos para lubricación y distribución de fluidos. El objetivo es el de dar siempre una respuesta satisfactoria a las demandas de nuestros clientes y cubrir sus exigencias



Company with an  
ISO 9001:2015  
certified quality  
management system

**RAASM S.p.A.**  
36022 S. ZENO DI CASSOLA (VI)  
Via Marangoni, 33 - ITALY



GESTIÓN INTEGRAL DE EQUIPAMIENTOS INDUSTRIALES / INTEGRAL MANAGEMENT FOR INDUSTRIAL EQUIPMENTS

C/Candás, 20 Bajo - 33207 Gijón - Asturias - España  
Tel. (+34) 984 05 00 90  
gesfluid@gesfluid.es - www.gesfluid.es